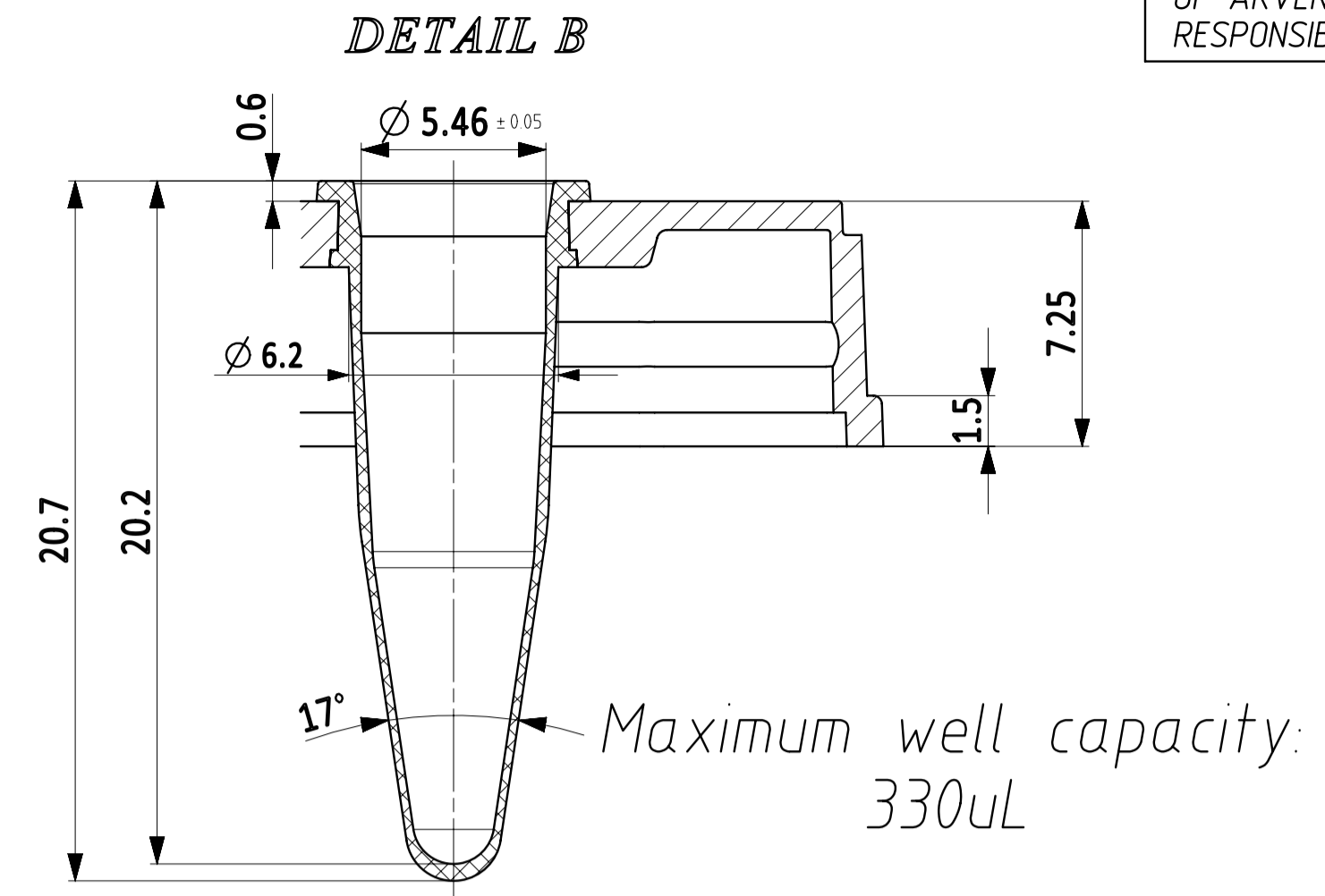
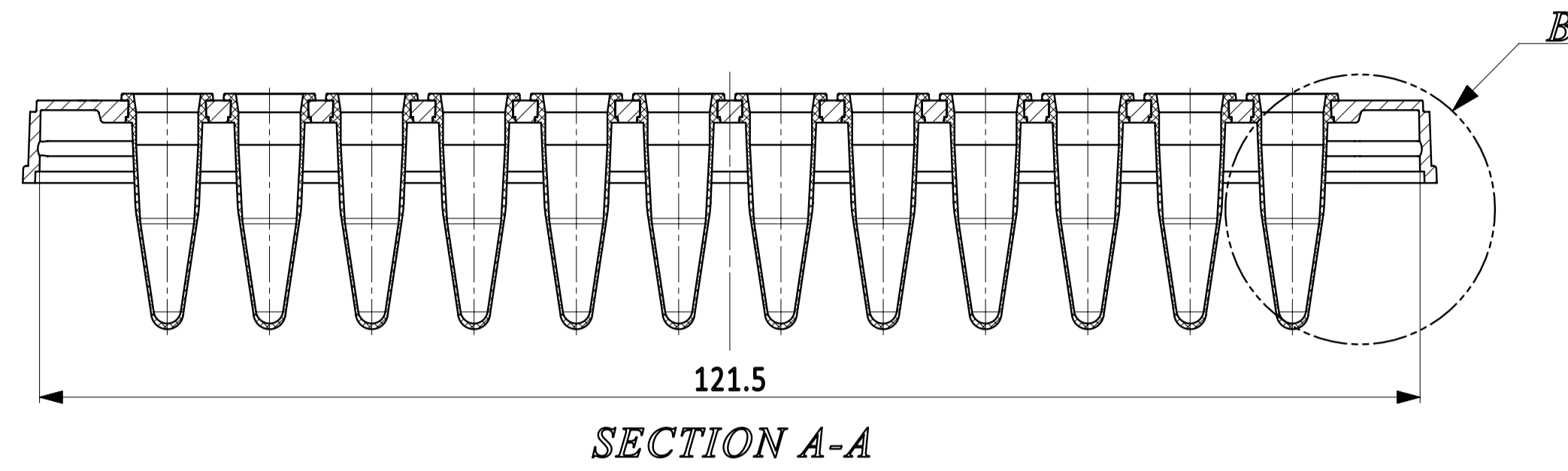
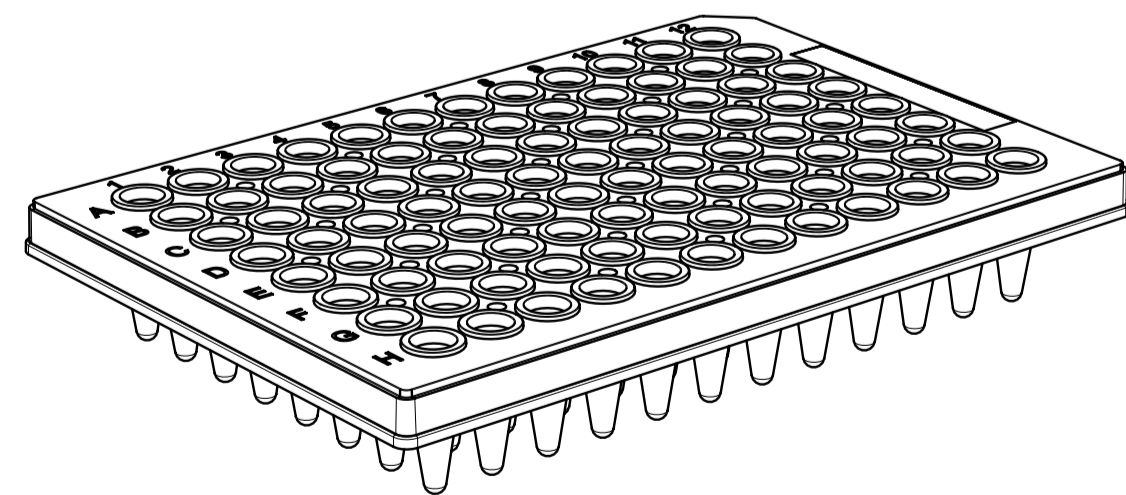
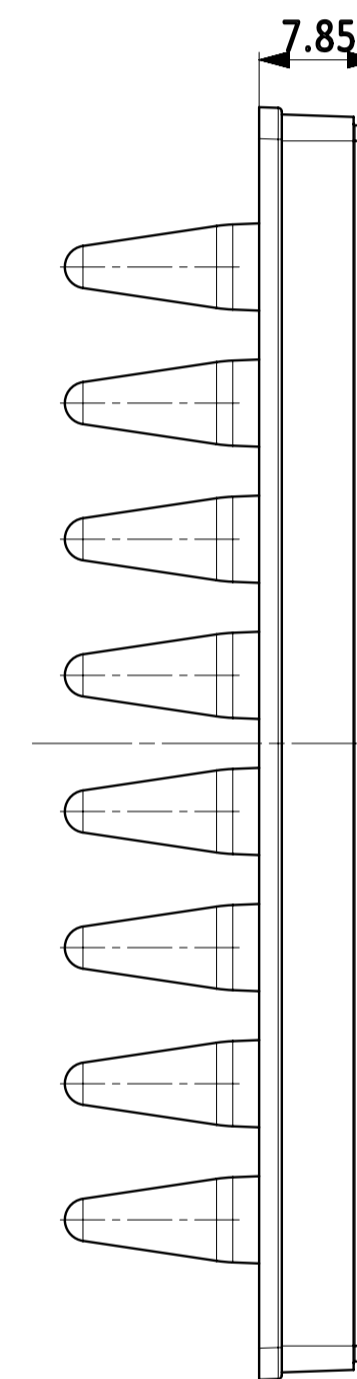
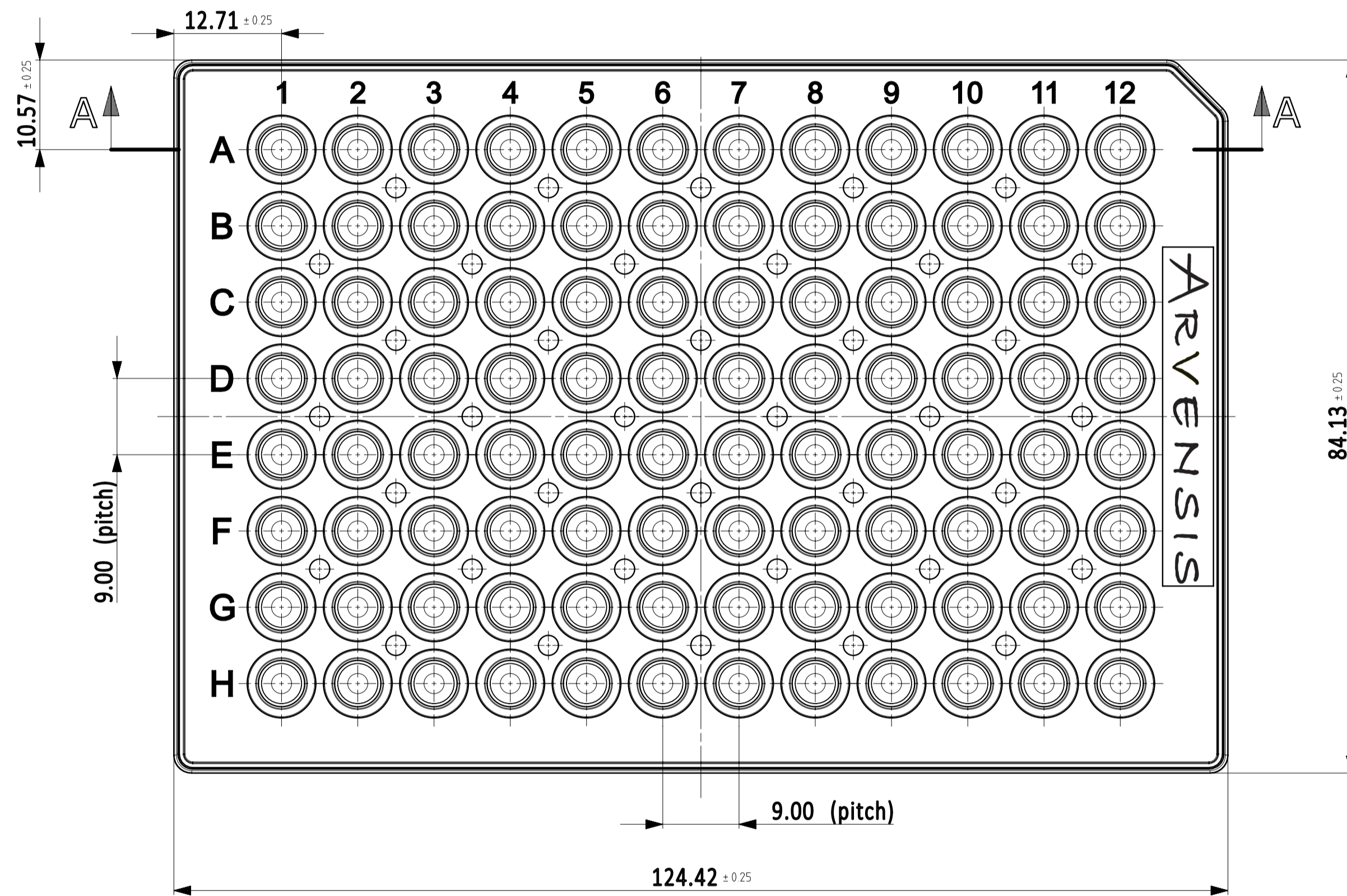


THE INFORMATION CONTAINED IN THIS DRAWING IS PROPERTY OF ARVENSIS LTD. ANY REPRODUCTION IN PART OR WHOLE WITHOUT THE WRITTEN PERMISSION OF ARVENSIS LTD IS PROHIBITED. UPON RECEIPT OF WHICH IT IS THE USERS RESPONSIBILITY TO SEEK CONFIRMATION OF ANY DIMENSIONS AND TOLERANCES.



ALL GRID REFERENCES ARE HOT FOILED



SCALE 1:1

MARKETING DRAWING

REV	DATE	DESCRIPTION OF CHANGE	Changed by	Project	Designer	GENERAL TOLERANCES		DIMENSIONS NOT SHOWN ON DRAWING ARE CONTROLLED BY 3D CAD FILE		ARVENSIS
				Customer:	Drawn date: 07.01.2022	Angular	Tolerance	DO NOT SCALE PRINTS UNLESS OTHERWISE SPECIFIED ALL DIMENSIONS ARE IN MM		
				Material: SEE NOTES	Approved by: Neal Holtzman	0-6	± 0.25°	FIRST ANGLE PROJECTION		
				Finish: SEE NOTES	Sheet 1 OF 1	6-30	± 0.05	CAD file: AR-014-TF96_rev_1.prt		Drawing no: AR-014-TF-96_rev_1
					Scale: 2:1	30-120	± 0.10	AR-014-TF96_rev_1.prt		
					Size: A1	120-315	± 0.15			
							± 0.25			